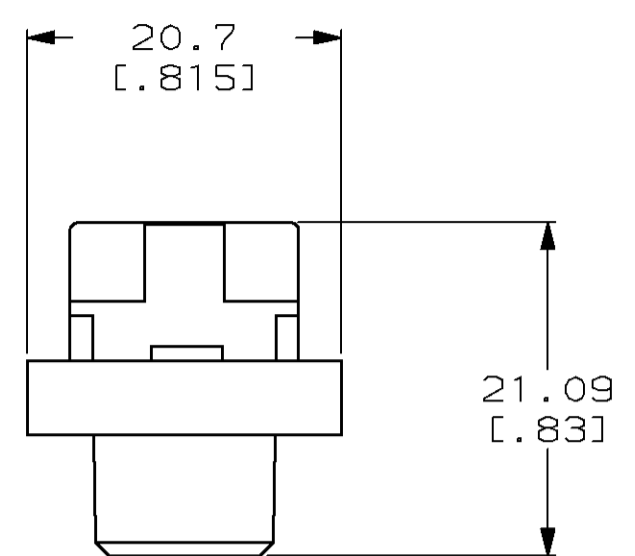
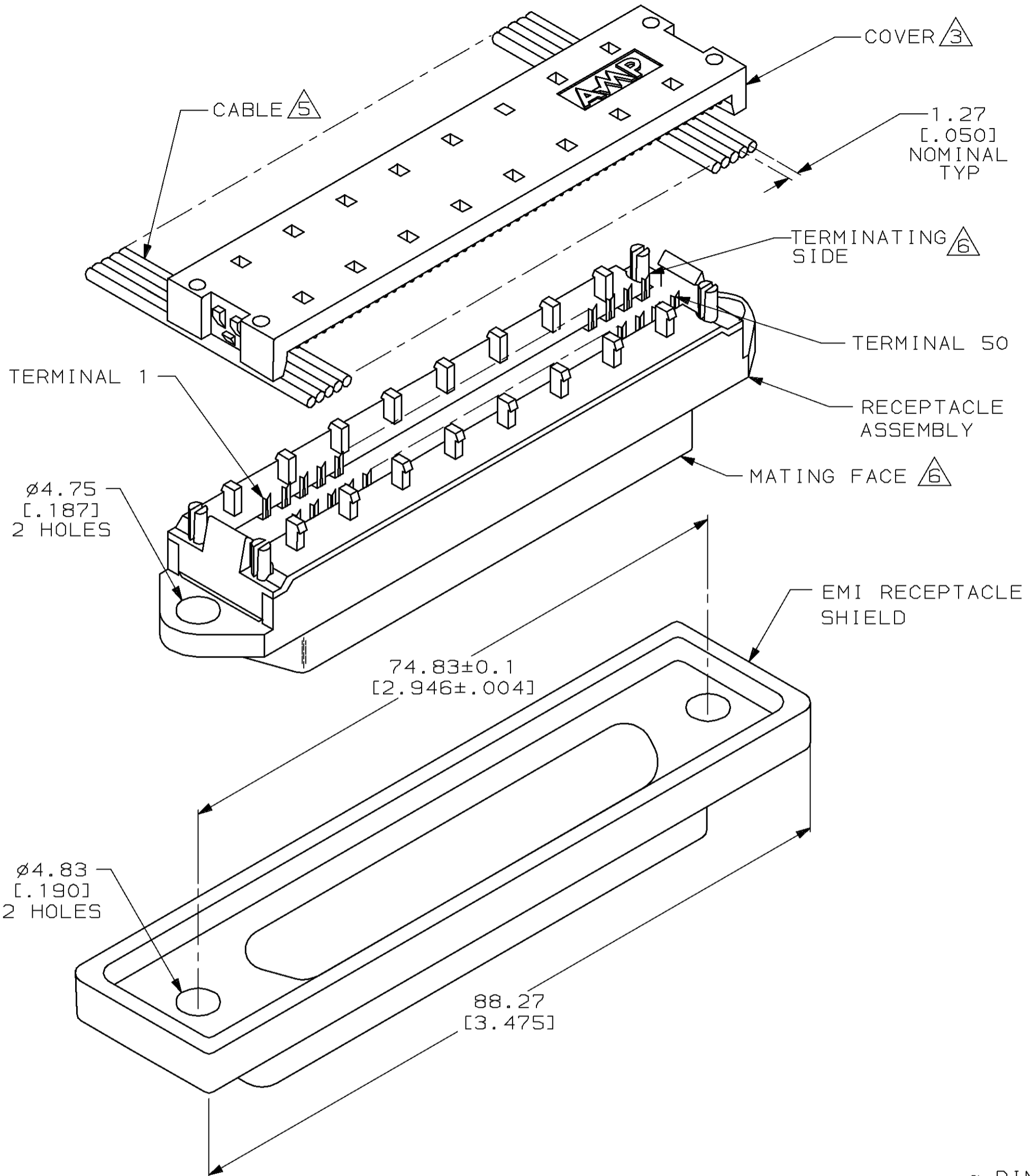


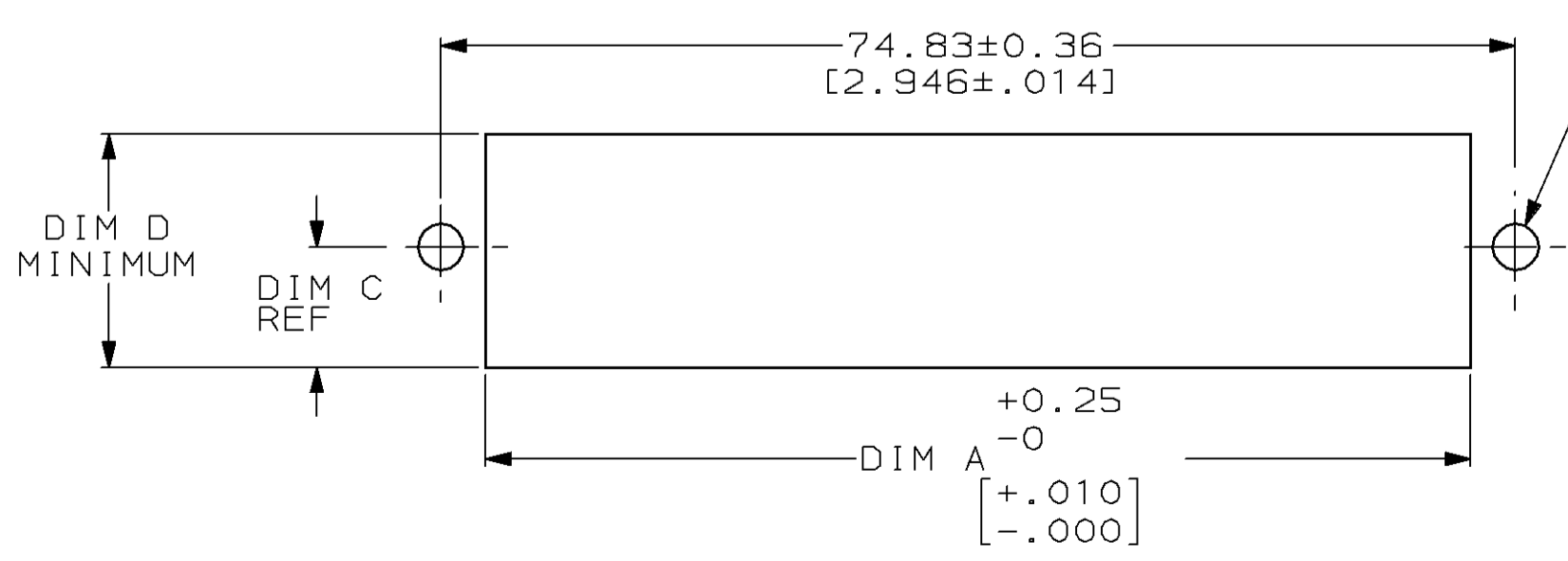
LOC		DIST		REVISIONS				DATE	APPD
AA	20	P	F	ZONE	LTR	DESCRIPTION			
					E	REDRAWN PER EC0210-0720-94	12-20-93	KBT CW	



END VIEW

- THE CONTACT SURFACES OF THE TERMINALS ARE COATED WITH LUBRICANT.
- MATERIAL: HOUSING AND COVER - POLYPHENYLENE OXIDE (BLACK). TERMINALS - GOLD OVER NICKEL PLATED HIGH STRENGTH COPPER ALLOY ON MATING FACE AND GOLD FLASH OVER NICKEL PLATE ON TERMINATING SIDE.
- COVER SHOWN LOOSE BUT SHIPPED ASSEMBLED.
- WIRE RANGE: 26 AWG SOLID THRU 30 AWG SOLID AND 28 AWG STRANDED RIBBON CABLE.
- FLAT CABLE SHALL BE FURNISHED BY CUSTOMER.
- MATING FACE CONSISTS OF TWO ROWS OF TERMINALS ON 2.16 [.085] CENTERS. TERMINATING SIDE CONSISTS OF TERMINALS ON 2.54 [.100] CENTERS FOR AN EFFECTIVE 1.27 [.050] TERMINATION.
- PANEL THICKNESS RANGE: OUTSIDE MOUNTING - 3.18 [.125] MAXIMUM. INSIDE MOUNTING - 1.58 [.062] MAXIMUM.
- EMI SHIELD SHIPPED LOOSE.
- ALL DIMENSIONS SHOWN ARE MAXIMUM UNLESS OTHERWISE SPECIFIED.

15.75 [.620]	7.87 [.310]	3.78 [.149]	68.58 [2.700]	REAR PANEL MOUNTING
16.26 [.640]	8.13 [.320]	3.2 [.126]	68.58 [2.700]	FRONT PANEL MOUNTING
DIM D	DIM C	DIM B	DIM A	DESCRIPTION



SUGGESTED PANEL CUTOUT

THIS DRAWING IS A CONTROLLED DOCUMENT FOR AMP INCORPORATED. IT IS SUBJECT TO CHANGE AND THE CONTROLLING ENGINEERING ORGANIZATION SHOULD BE CONTACTED FOR THE LATEST REVISION.

DO NOT SCALE PRINT. UNLESS SPECIFIED DIMENSIONS IN mm [INCHES] TOLERANCES ON: 2 PLC DEC ± - 3 PLC DEC ± - ANGLES ± -		DR 12-20-93 K. TILLMAN/UTA		554350-1 PART NO	
MATERIAL		CHK 9-2-94 C. WHITT		AMP Incorporated Harrisburg, PA 17105-3608	
FINISH		APPD 9-9-94 J. TRAMMEL		NAME EMI RECEPTACLE ASSEMBLY, 50 POSITION, LOW PROFILE, SHIELDED, CHAMP LATCH	
		APPD 9-9-94 J. HARRIS		PRODUCT SPEC 108-6076	
		APPLICATION SPEC 114-6030		SIZE C 00779	
		WEIGHT -		DRAWING NO C=554350	
				SCALE 2:1	
				SHEET 1 OF 1	